

SY-13

Y type

Basket

Duplex

Temporary

Stainless steel

Nylon

Carbon steel

Easy plug

Pipe end core

One-touch

With fine mesh

Davit



4

Strainer

■ Features

1. Designed for large-diameter piping.

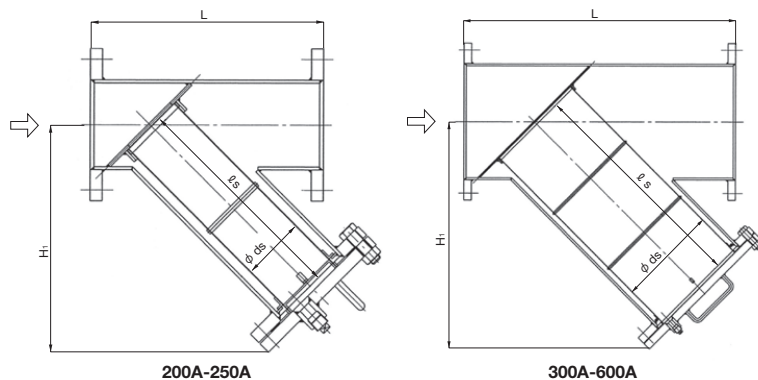
■ Specifications

Model		SY-13
Nominal size		200A-600A
Application		Steam, Air, Cold and hot water, Other non-dangerous fluids
Maximum pressure		1.0 MPa
Maximum temperature		220°C
Material	Body	Carbon steel pipes for pressure service and rolled steels for general structure
	Screen	Stainless steel
Screen	Perforation	φ 6-8P
	Mesh	Standard 80 mesh
Connection		JIS 10K FF flanged

- Available with 20 mesh to 100 mesh screen.
- Available with rust-proof (hot-dip zinc coating).
- Available with stainless steel (SY-13SS).
- Available with hinge attachment for screen cover.
- Available with JIS 20K flanged, ASNI 150lb, ANSI 300lb.

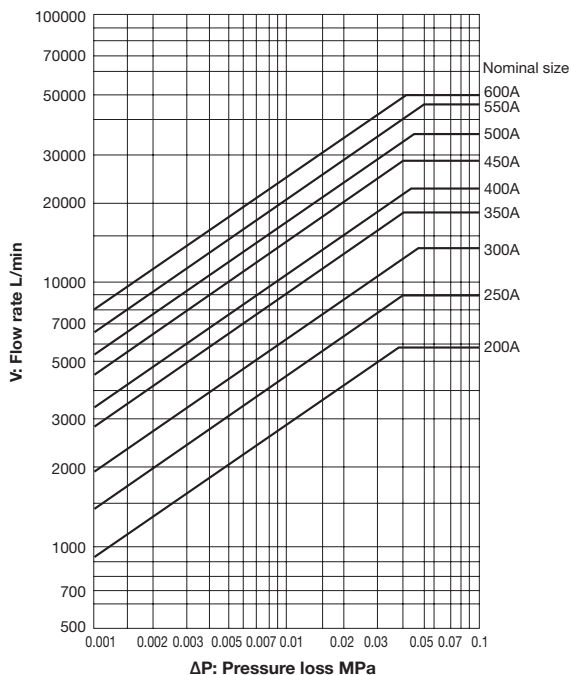
■ Dimensions (mm) and Weights (kg)

Nominal size	L	H _i	ds	ℓs	Plug	Weight
200A	580	500	170	510	R 3/4	75
250A	680	565	220	570	R 3/4	115
300A	800	660	250	680	R 3/4	145
350A	930	745	300	776	R 3/4	210
400A	1000	845	340	876	R 3/4	270
450A	1080	890	400	926	R 3/4	400
500A	1200	1045	450	1100	R 1	460
550A	1300	1175	500	1250	R 1	625
600A	1500	1260	550	1340	R 1	820



■SY-13 Pressure Loss Chart (For Water)

· Screen: Perforation = $\phi 6-8P$, Mesh = 80 mesh



* Please use flow rate 2 m/sec or less.

Please refer to P.4-12 for the information about how to look the chart, and calculating example.