

SY-40R-A/B

Y type

Basket

Duplex

Temporary

Stainless steel

Nylon

Carbon steel

Easy plug

Pipe end core

One-touch

With fine mesh

Davit

4

Strainer

■Features

- 1.Recommend for labor-savings or man-hour savings facility that clean screen frequently.
- 2.For horizontal piping:SY-40R-A, For vertical (upper→bottom) piping:SY-40R-B.

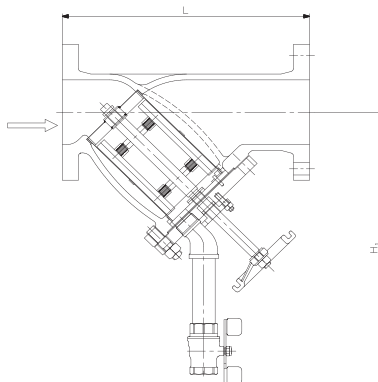
■Specifications

Model	SY-40R-A	SY-40R-B
Installation direction	Horizontality	Verticality
Application fluid	Water, Oil	
Nominal size	80-150A	
Maximum working pressure	1.0MPa	
Maximum temperature	90°C	
Material	Body	Ductile cast iron
	Screen	Stainless steel
Connection		JIS 10K FF
Screen	Punching equivalent to 20 mesh	
	Punching equivalent to 40 mesh	
	Punching equivalent to 60 mesh	

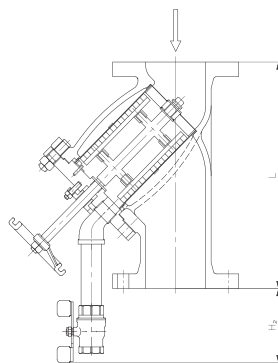
*Please reference the below Fig.1/Fig.2 for installation direction.

■Dimensions (mm) and Weights (kg)

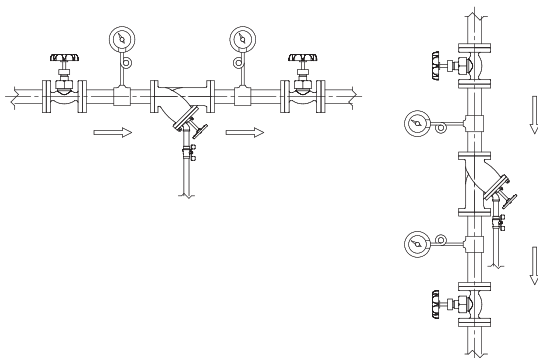
Nominal size	L	H ₁	H ₂	No.24 Ball valve	Weights(kg)
80A	330	365	85	Rc 3/4	22
100A	370	420	125	Rc 1	35
125A	415	470	130	Rc 1 1/4	49
150A	495	510	105	Rc 1 1/4	72



SY-40R-A

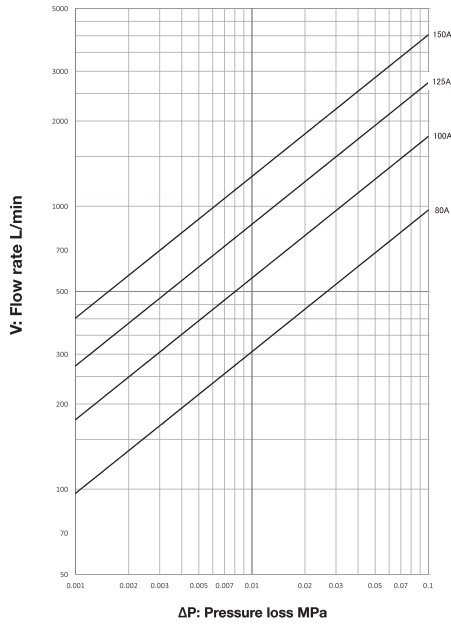


SY-40R-B



■ SY-40R Pressure drop chart(For water)

Punching equivalent to 60 mesh



■ Disassembly

